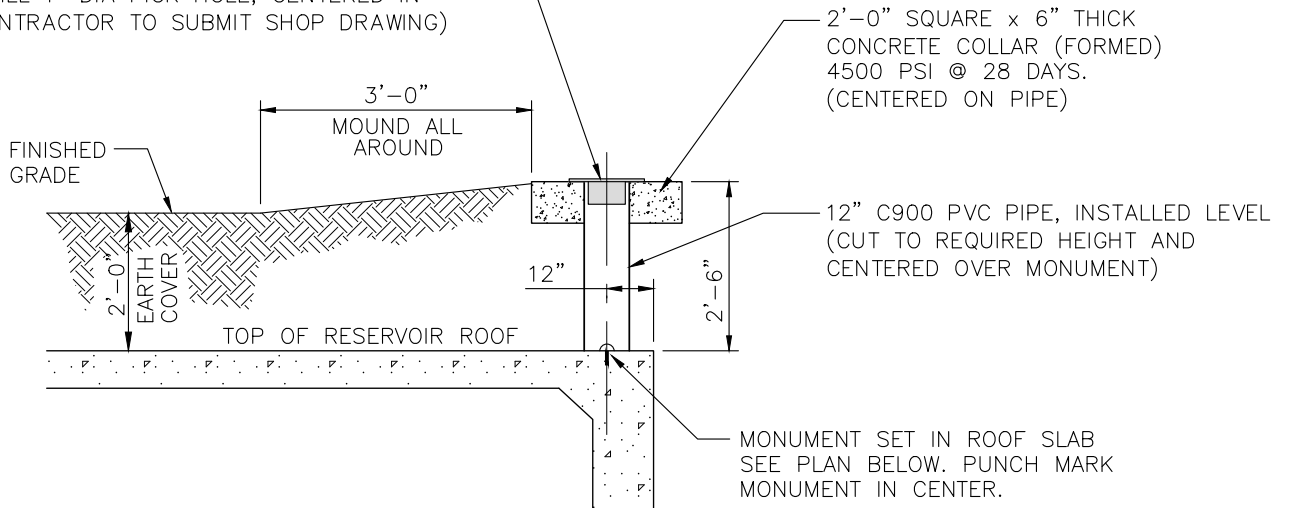
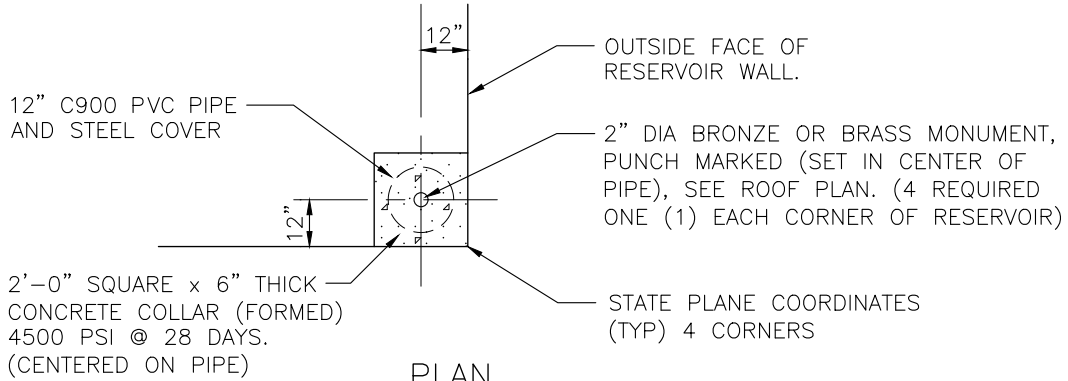


16" DIA x 3/8" THICK FABRICATED DIAMOND PLATE STEEL COVER, MARKED "LVVWD SURVEY" WITH 10" DIA x 3" HIGH x 3/8" THICK STEEL SKIRT CENTERED AND WELDED TO BOTTOM OF COVER. DRILL 1" DIA PICK HOLE, CENTERED IN COVER. (CONTRACTOR TO SUBMIT SHOP DRAWING)



ELEVATION



PLAN

NOTE:
 INSTALL PIPE, STEEL COVER AND BACKFILL ONLY AFTER MONUMENT HAS BEEN INSTALLED AND APPROVED BY LVVWD ENGINEER OR SURVEYOR (TYP).

RESERVOIR SURVEY MONUMENT

NOT TO SCALE

RS12-3 042423

