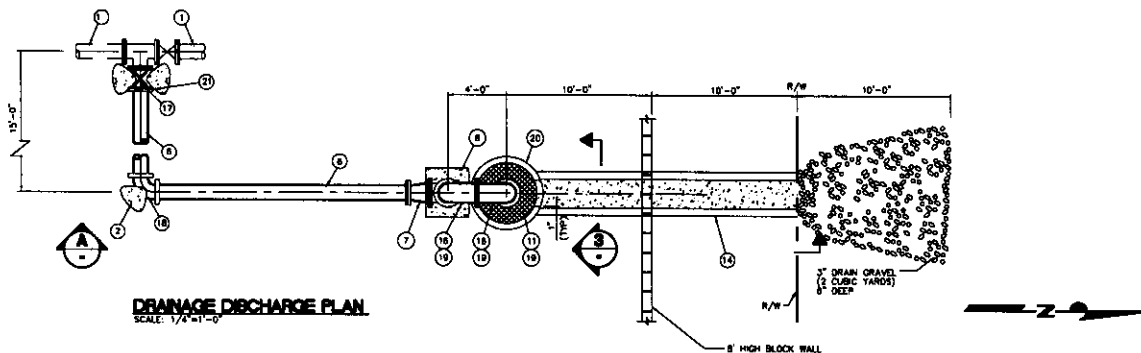
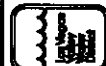
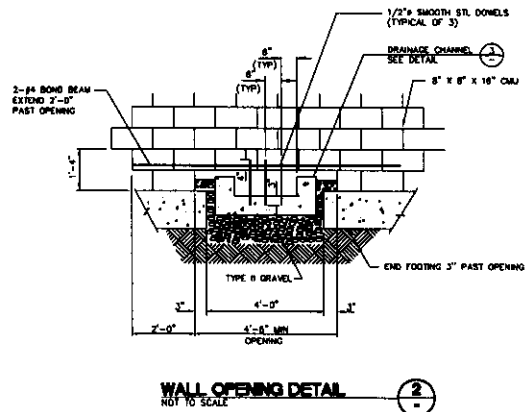
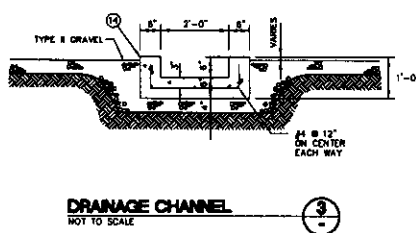
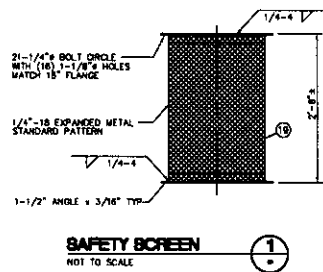
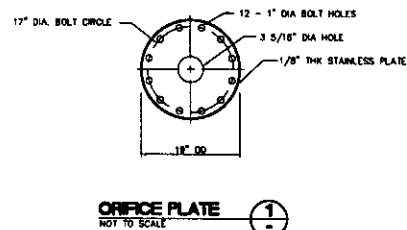
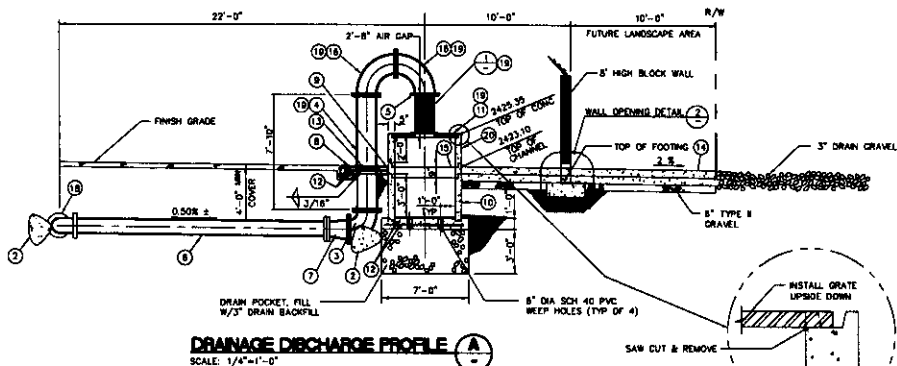


FOR EXAMPLE ONLY

WE18 011900



ITEM	DESCRIPTION	SPEC. DIVISION
1	SEE DRAWING NO C12	
2	CONCRETE THURST BLOCK SEE DETAIL 3 DRAWING NO C12	AS NOTED
3	15" Ø 80 FLANGED-SHORT RADIUS ELBOW	34
4	15" Ø GP	34
5	SSIL INSECT SCREEN	34
6	12" Ø GP	34
7	16" x 12" IN FLANGED REDUCER	34
8	8" TRACK x 36" SQUARE CONCRETE COLLAR	16
9	JOINT FILLER MATERIAL	
10	3'-0" PRECAST CONCRETE 60" DIA MANHOLE SECTION	
11	TWO PERS GRATE 66" DIA R-8851 180° MOUND, CUT OPENING BELOW SAFETY SCREEN, MEDIAN FOUNDRY CO OR APPROVED EQUAL	AS NOTED
12	2" REBAR 8" EACH WAY	16
13	3/8" STEEL PLATE x 24" Ø FLANGE	16
14	CONCRETE DRAINAGE CHANNEL, 5000 PSI, SEE DETAIL 3	16
15	1" PRECAST CONCRETE 60" DIA MANHOLE SECTION, SAW CUT OPENING TO MATCH DRAINAGE CHANNEL	33
16	15" Ø 80 FLANGED - LONG RADIUS ELBOW	34
17	12" FLANGED GATE VALVE W/SALVE BOX AND ANCHOR BLOCK SEE DETAILS 7 AND 8 DRAWING NO C12	36
18	12" Ø 80 FLANGED-ON ELBOW	34
19	PAINT - WHITE	15
20	2'-0" PRECAST CONCRETE 60" DIA MANHOLE SECTION	33
21	ORFICE PLATE SEE DETAIL 1	



LAS VEGAS VALLEY WATER DISTRICT
1901 S. VALLEY VIEW BOULEVARD
LAS VEGAS, NEVADA 89155
CIVIL ENGINEERING

VERIFY SCALE
1/2" = 1'
1/4" = 1/2'
1/8" = 1/4'
ONE AND TWO-DIMENSIONAL
FIELD OR ORIGINAL

EQUIP WELL NO XX
WELL NO XX DRAINAGE DISCHARGE PLAN AND PROFILE

DRAWN BY: _____
CHECKED BY: _____
RECOMMENDED BY: _____
ACCEPTED BY: _____

CONTRACT NUMBER
XXX
DRAWING NUMBER
SHEET _____ OF _____