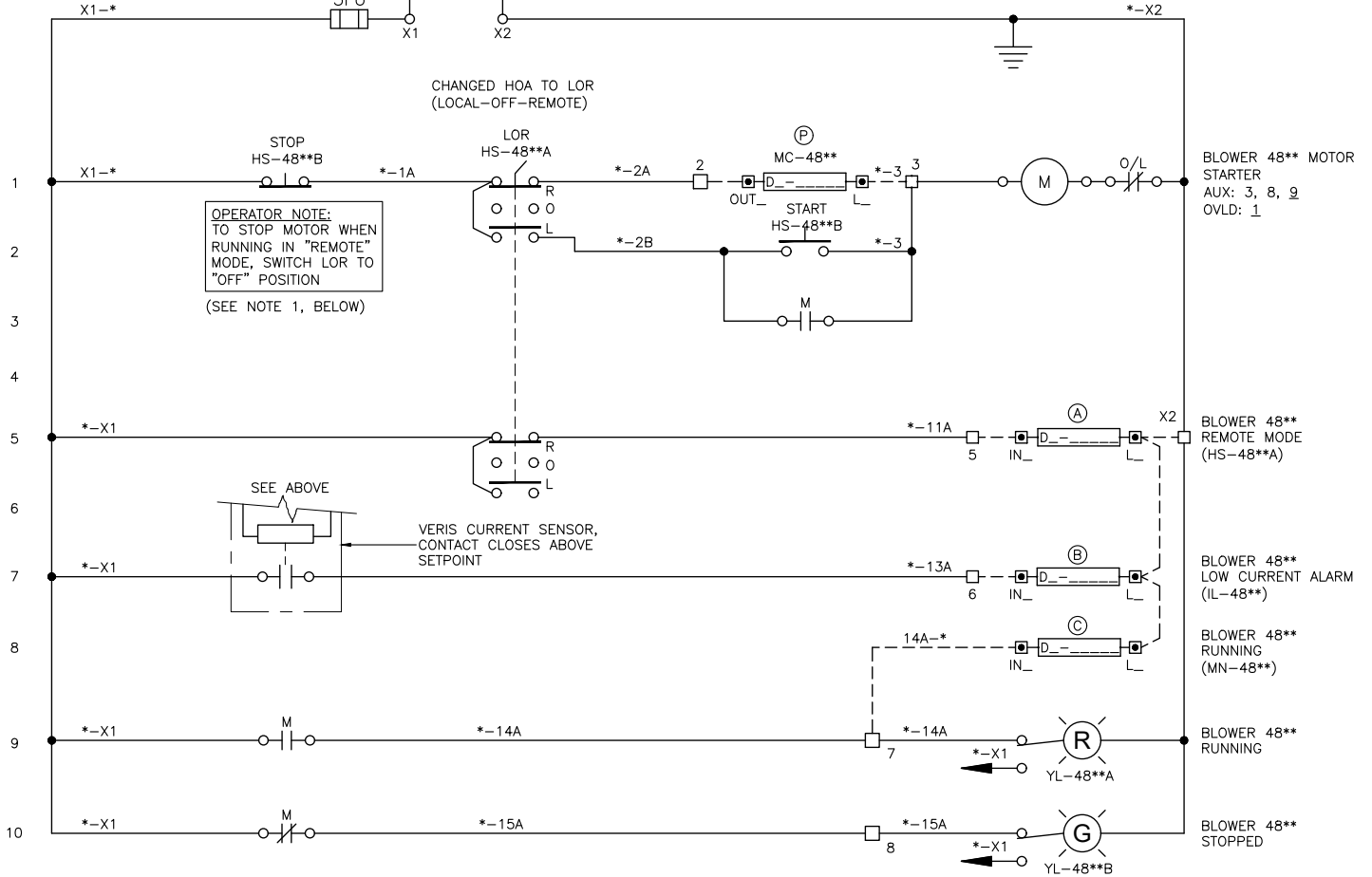
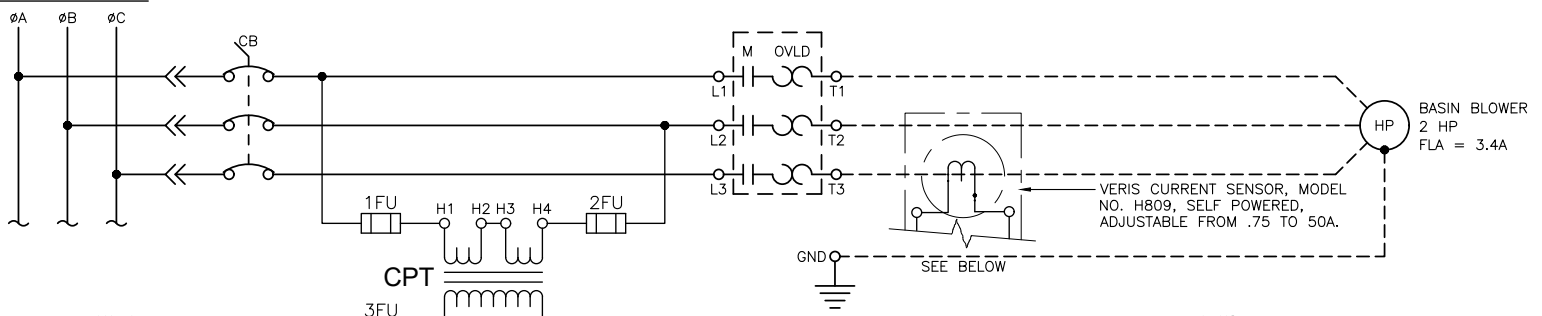
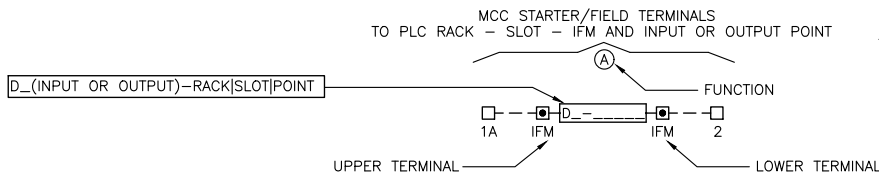


MCC BUS BAR



NOTE:

1. MANUFACTURER TO PROVIDE ENGRAVED LAMINATE MICARTA NAMEPLATE (BLACK FIELD, WHITE LETTERS) WITH 1/8"-HIGH LETTERS AFFIXED TO EACH STARTER.



NOTE:
PREWIRED PLC FIELD INTERFACE TERMINALS (IFM) ARE 'PAIRED' AS UPPER AND LOWER WITH THE SAME NUMBER THE AS I/O CARD TERMINAL.

FUNCTION	I/O POINT DESCRIPTION	OUTPUT (D ₊)	INPUT (D ₋)	BASIN 1				BASIN 2				BASIN 3				BASIN 4									
				MCC TERM	PLC IFM	PLC RACK	PLC SLOT	PLC POINT	MCC TERM	PLC IFM	PLC RACK	PLC SLOT	PLC POINT	MCC TERM	PLC IFM	PLC RACK	PLC SLOT	PLC POINT	MCC TERM	PLC IFM	PLC RACK	PLC SLOT	PLC POINT		
(A)	LOR-IN-REMOTE		X			5				X2	5				X2	5				X2	5				X2
(B)	LOW CURRENT		X			6				X2	6				X2	6				X2	6				X2
(C)	MOTOR RUNNING		X			7				X2	7				X2	7				X2	7				X2
(P)	REMOTE START/STOP	X				2				3	2				3	2				3	2				3

* REPLACE ASTERISKS WITH ASSOCIATED THM BLOWER NUMBER.

RESERVOIR BASIN THM BLOWER SCHEMATIC CB-48*

NOT TO SCALE

