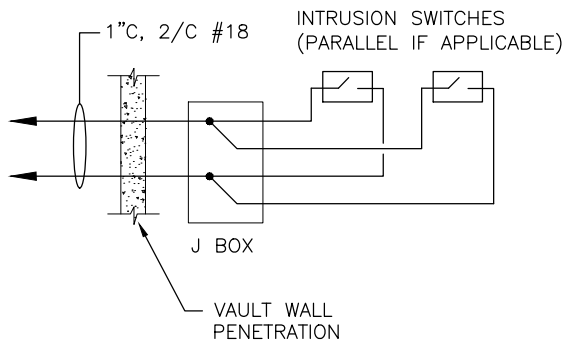


**NOTES:**

1. REFER TO PLAN OR SECTION VIEW FOR MORE INFORMATION.
2. MOUNT LIMIT SWITCH TO TRANSFER CONTACT POSITION WHEN COVER IS LIFTED (SEE PLANS FOR ACTUAL LOCATION).

**VAULT SECTION**



**WIRING DIAGRAM**

**VAULT ACCESS SECURITY  
SWITCH MOUNTING DETAIL**

NOT TO SCALE

E06-4

010820

