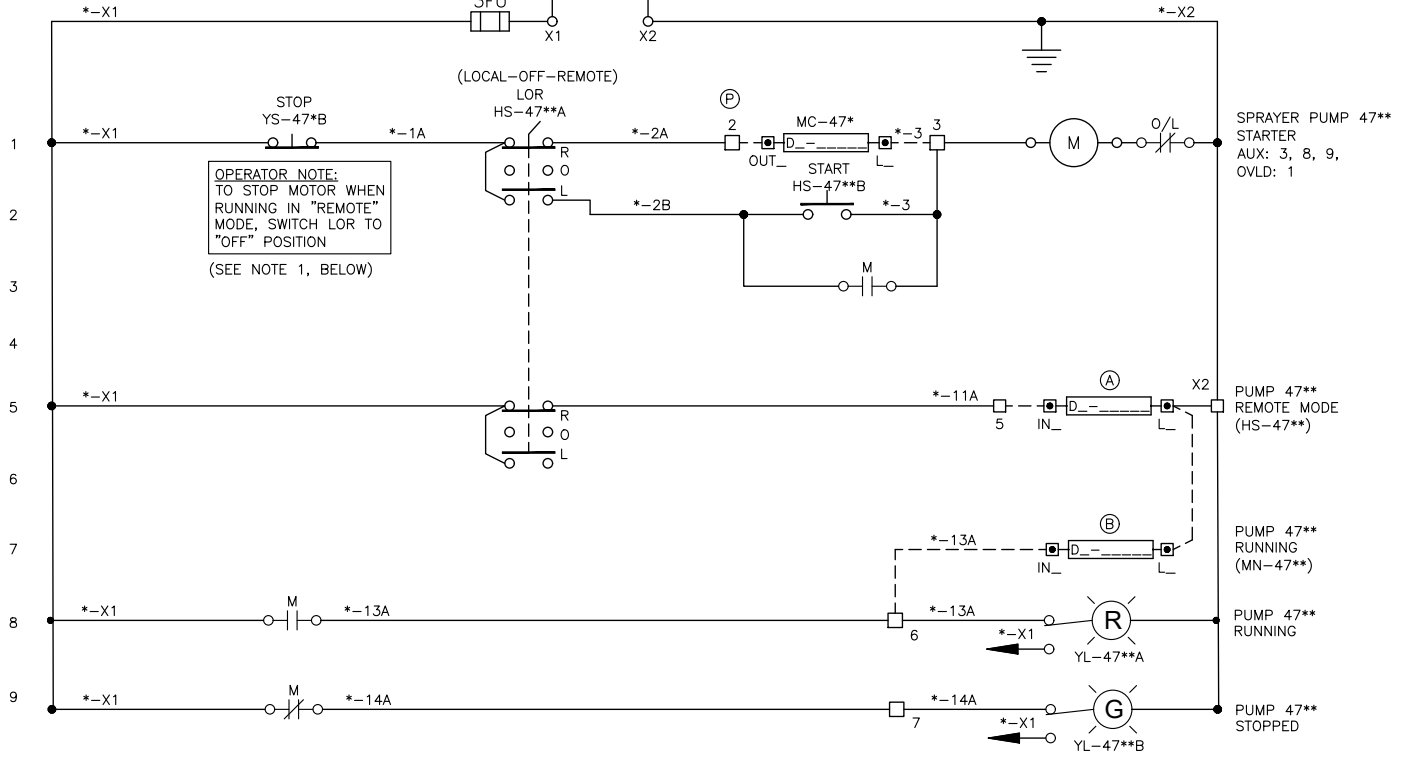
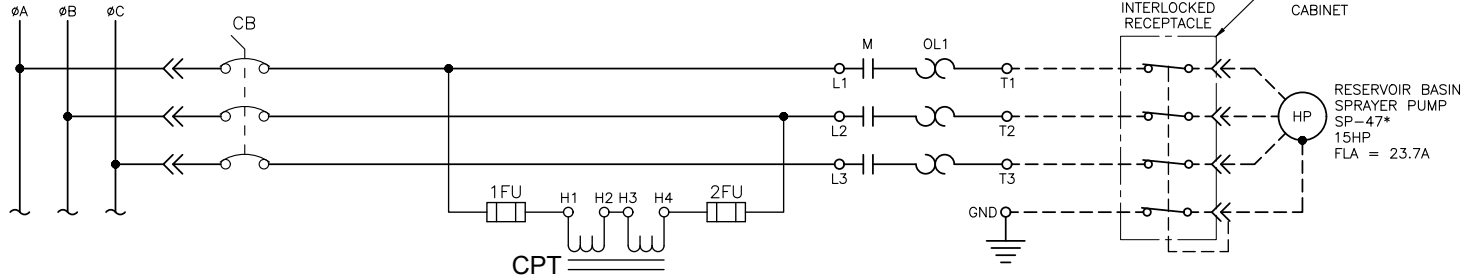
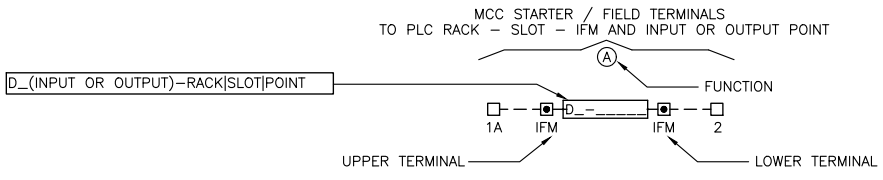


MCC BUS BAR



OPERATOR NOTE:
TO STOP MOTOR WHEN
RUNNING IN "REMOTE"
MODE, SWITCH LOR TO
"OFF" POSITION
(SEE NOTE 1, BELOW)

- NOTE:**
1. MANUFACTURER TO PROVIDE ENGRAVED LAMINATE MICARTA NAMEPLATE (BLACK FIELD, WHITE LETTERS) WITH 1/8"-HIGH LETTERS AFFIXED TO EACH STARTER.
 2. CONNECTION OF "IFM" (FIELD INTERFACE TERMINALS) TO PLC I/O CARDS USES MANUFACTURED CABLE AND CONNECTOR ASSEMBLY.



FUNCTION	I/O POINT DESCRIPTION	OUTPUT (D ₋)	INPUT (D ₋)	BASIN 1 SP-471*				BASIN 2 SP-472*				BASIN 3 SP-473*				BASIN 4 SP-474*									
				MCC TERM	PLC IFM	PLC RACK	PLC SLOT	PLC POINT	MCC TERM	PLC IFM	PLC RACK	PLC SLOT	PLC POINT	MCC TERM	PLC IFM	PLC RACK	PLC SLOT	PLC POINT	MCC TERM	PLC IFM	PLC RACK	PLC SLOT	PLC POINT		
(A)	LOR-IN-REMOTE		X			5				X2	5				X2	5				X2	5				X2
(B)	MOTOR RUNNING	X				6				X2	6				X2	6				X2	6				X2
(P)	REMOTE START/STOP	X				2				3	2				3	2				3	2				3

* REPLACE ASTERISKS WITH ASSOCIATED SPRAY MIXER NUMBER.