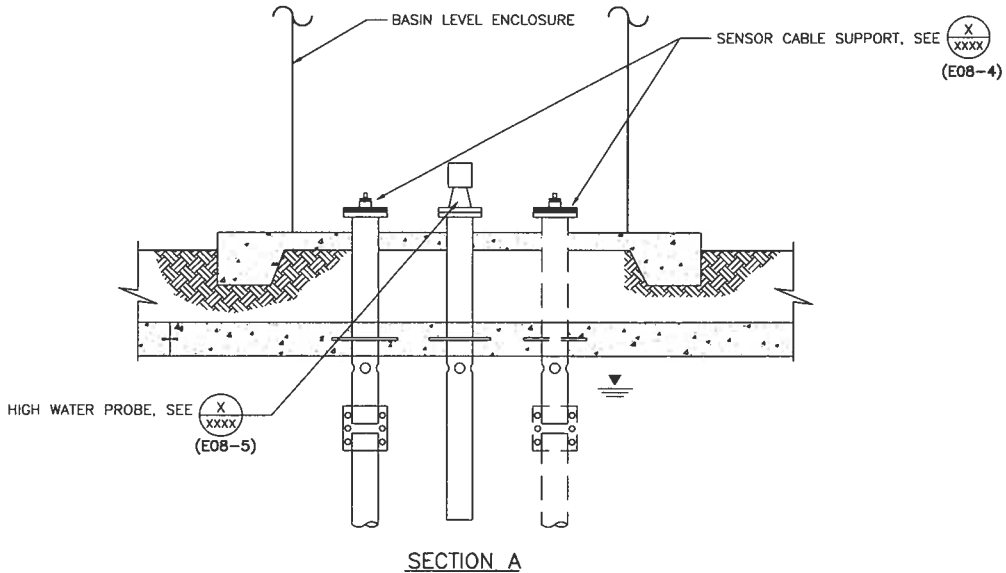


NOTE:
 1. MOST INSTALLATIONS WILL HAVE ONLY ONE LEVEL TRANSMITTER PER BASIN. IF DESIGN SCOPE REQUIRES TWO TRANSMITTERS PER BASIN, ADJUST ENCLOSURE SIZE TO MATCH REQUIREMENTS.



RESERVOIR BASIN LEVEL ENCLOSURE LAYOUT

NOT TO SCALE

E08-2

091008

