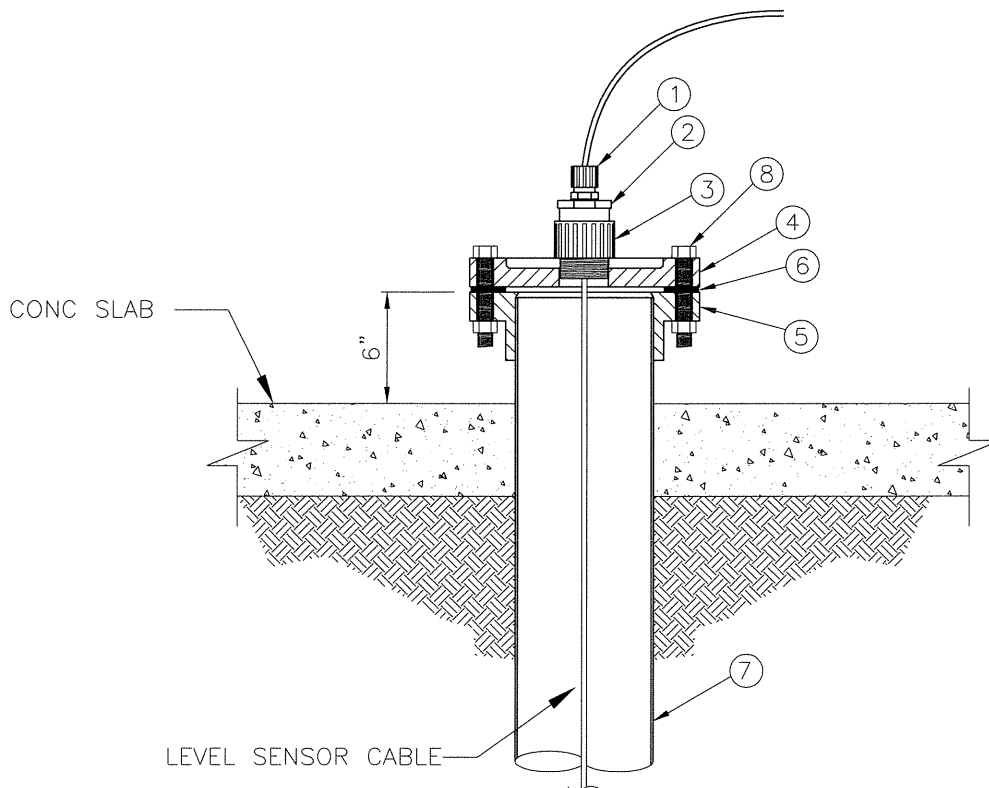


BILL OF MATERIALS

QTY	ITEM #	DESCRIPTION
1	21836	1/2" CGB PVC STRAIN RELIEF
1	09704	2" SLIP TO 1/2" NPT PVC REDUCER
1	08012	2" NPT TO 2" SLIP PVC ADAPTER
1	-	6" BLIND PVC FLANGE w/ 2" NPT THREADED HOLE IN THE CENTER
1	-	6" PVC VAN STONE FLANGE w/ PLASTIC RING
1	-	6" NEOPRENE GASKET FLG
1	-	6" 316 SS PIPE w/ 6 5/8" OD
4	-	3/4"x4" STAINLESS BOLT w/ NUTS



RESERVOIR BASIN LEVEL ENCLOSURE CABLE SUPPORT

NOT TO SCALE

E08-4

100608

