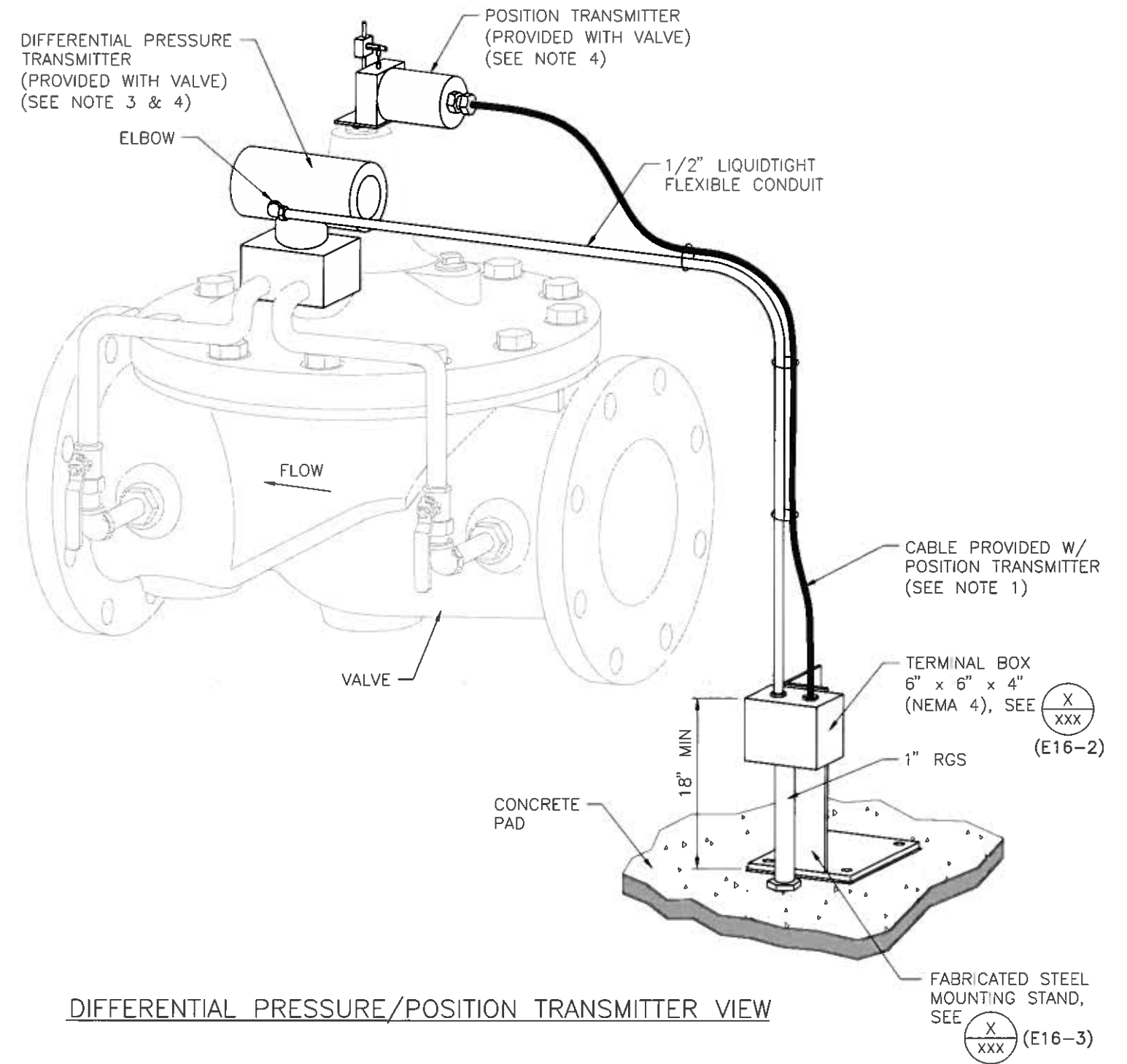


FLOW CONTROL SOLENOID VIEW

NOTES:

1. TIE WRAP POSITION TRANSMITTER CABLE TO 1/2" LIQUIDTIGHT FROM DIFFERENTIAL PRESSURE TRANSMITTER.
2. USE APPROPRIATE BUSHINGS TO MAINTAIN NEMA 4 RATING.
3. ALIGN DIFFERENTIAL PRESSURE TRANSMITTER HOUSING IN THE SAME DIRECTION AS THE VALVE.
4. ASSEMBLE LABELED VALVE COMPONENTS AS DETAILED, MODIFYING THE ASSEMBLIES FROM THE FACTORY AS REQUIRED TO MATCH THESE DETAILS.
5. ELBOW MAY BE OMITTED IF FLOW CONTROL SOLENOID IS ROTATED FOR DIRECT CONNECTION WITH THE 1/2" LIQUIDTIGHT FLEXIBLE CONDUIT.



DIFFERENTIAL PRESSURE/POSITION TRANSMITTER VIEW

PRV FLOW METERING INSTALLATION DETAILS

NOT TO SCALE

E16-1 122407

