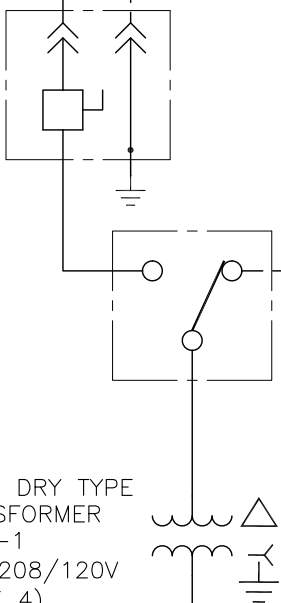


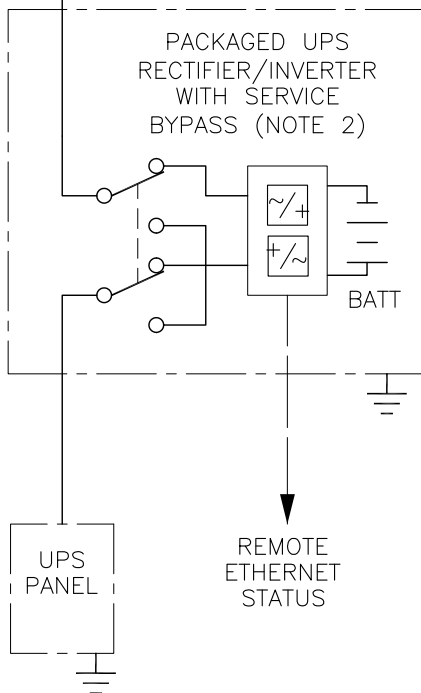
GENERATOR CONNECTION CABINET WITH 5 PHASE-COLOR-CODED CAMLOCK CONNECTORS AND LOCKOUT SAFETY SWITCH (NOTE 3).

MANUAL TRANSFER SWITCH MAY BE PART OF PERMANENTLY MOUNTED GENERATOR CONNECTION CABINET OR MOUNTED SEPARATELY.

15kVA DRY TYPE TRANSFORMER UPST-1 480-208/120V (NOTE 4)



- NOTES:**
1. REFER TO EDS (ENGINEERING DESIGN STANDARDS VOL 10) AND TO PROJECT DESIGN SCOPE TO DETERMINE WHETHER STANDBY POWER OR UPS ARE NEEDED.
 2. REFER TO ELECTRICAL SPECIFICATIONS FOR PACKAGED UPS SYSTEM REQUIREMENTS.
 3. REFER TO ELECTRICAL STANDARD DRAWINGS FOR GENERATOR CONNECTION CABINET REQUIREMENTS. SYSTEM RATINGS TO BE DETERMINED AS PART OF DESIGN DEVELOPMENT.



FACILITY UPS DISTRIBUTION

