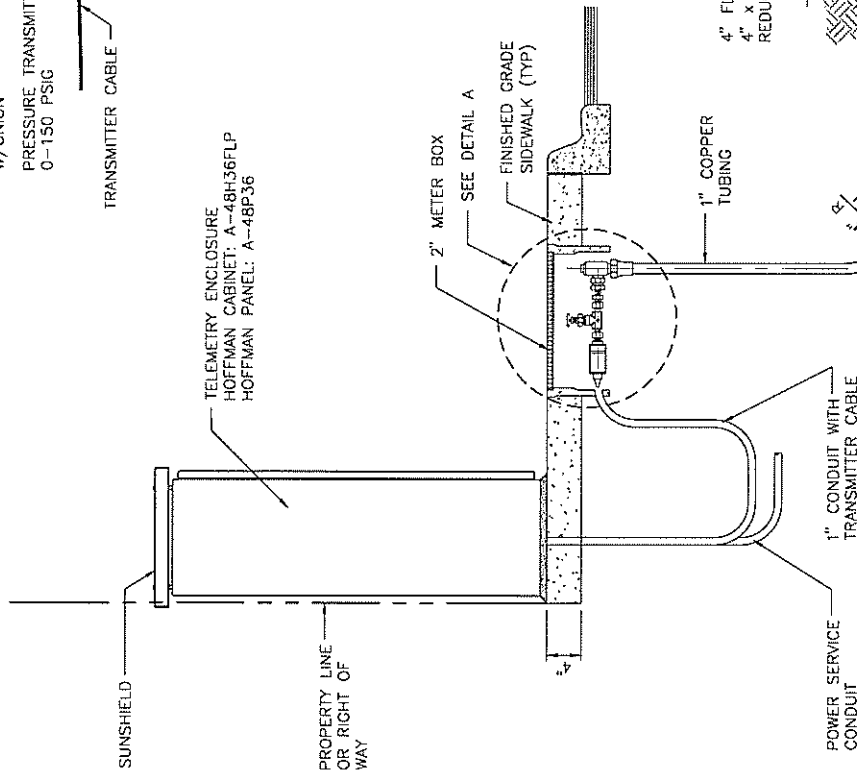
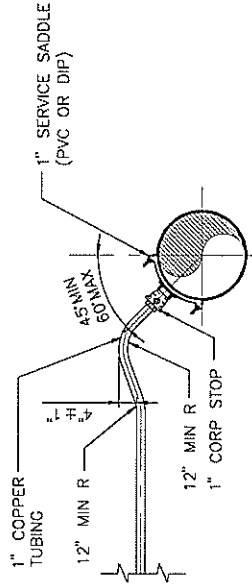


DETAIL A

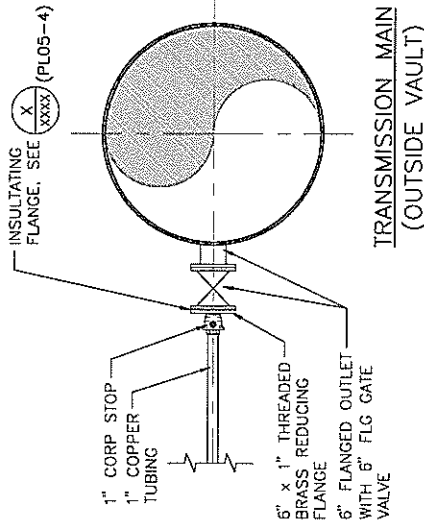


TELEMETRY ENCLOSURE
HOFFMAN CABINET: A-48H36FLP
HOFFMAN PANEL: A-48P36

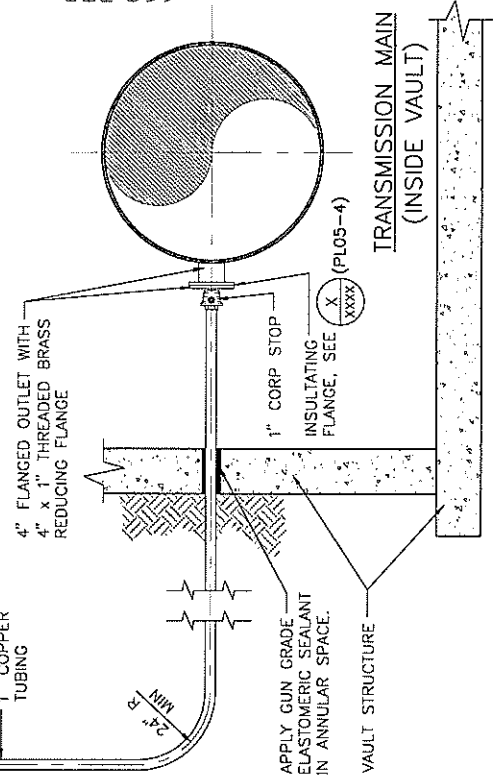
DESIGNER NOTES:
USE ONLY THE DETAILS PER PROJECT REQUIREMENTS. UNUSED PORTIONS OF THE DETAIL ARE TO BE REMOVED.
IN UNIMPROVED AREAS THE ELEVATION OF THE PAD SHALL BE DETERMINED AND SHOWN ON THE DETAIL.



DISTRIBUTION MAIN



TRANSMISSION MAIN
(OUTSIDE VAULT)



TRANSMISSION MAIN
(INSIDE VAULT)

NOTE:
ALL COPPER TUBING SHALL BE WRAPPED WITH TWO LAYERS OF SIX (6) MIL POLYETHYLENE AND BACKFILLED ALL AROUND WITH 4\"/>

PRESSURE STATION ASSEMBLY

NOT TO SCALE



IT01-1 111506