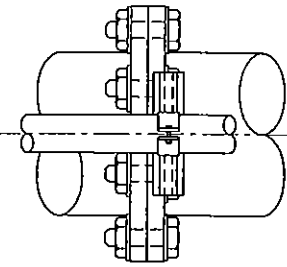
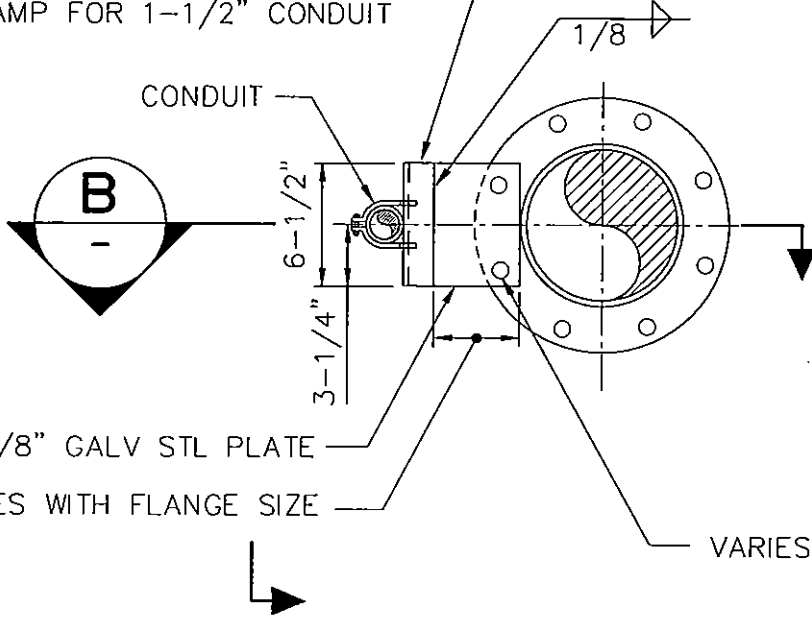


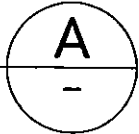
NON-CORROSIVE CHANNEL SUPPORT
WITH PIPE CLAMP FOR 1" CONDUIT OR
PIPE CLAMP FOR 1-1/2" CONDUIT

NOTE:

CONDUIT CHANNEL SUPPORT TO
BE PAINTED PER SPECS.



SECTION

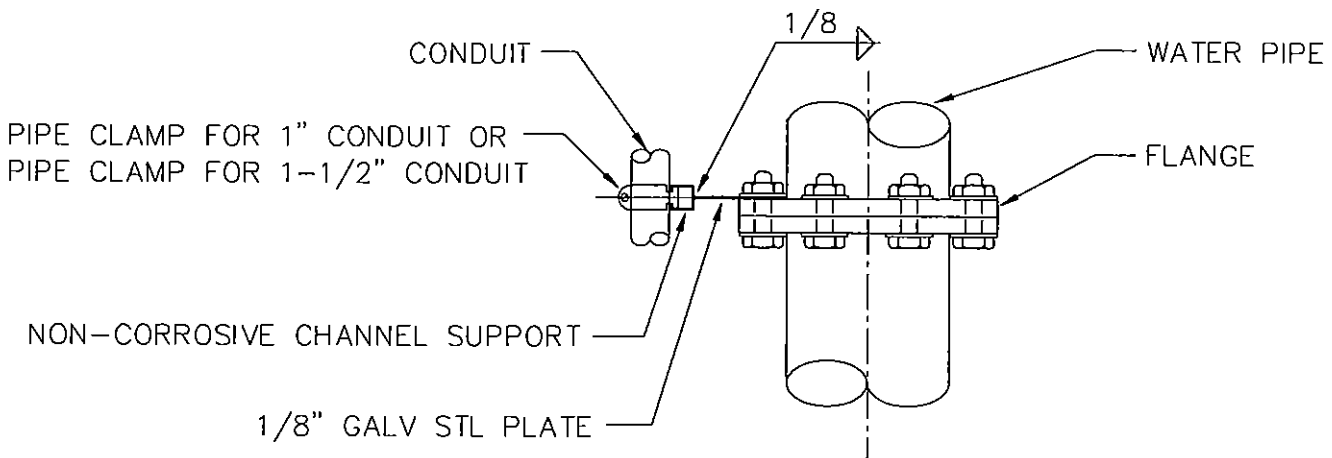


1/8" GALV STL PLATE

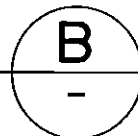
VARIES WITH FLANGE SIZE

VARIES WITH FLANGE SIZE (TYP OF 2)

PLAN



SECTION



CONDUIT SUPPORT DETAIL

NOT TO SCALE

IT03-5

063003

