

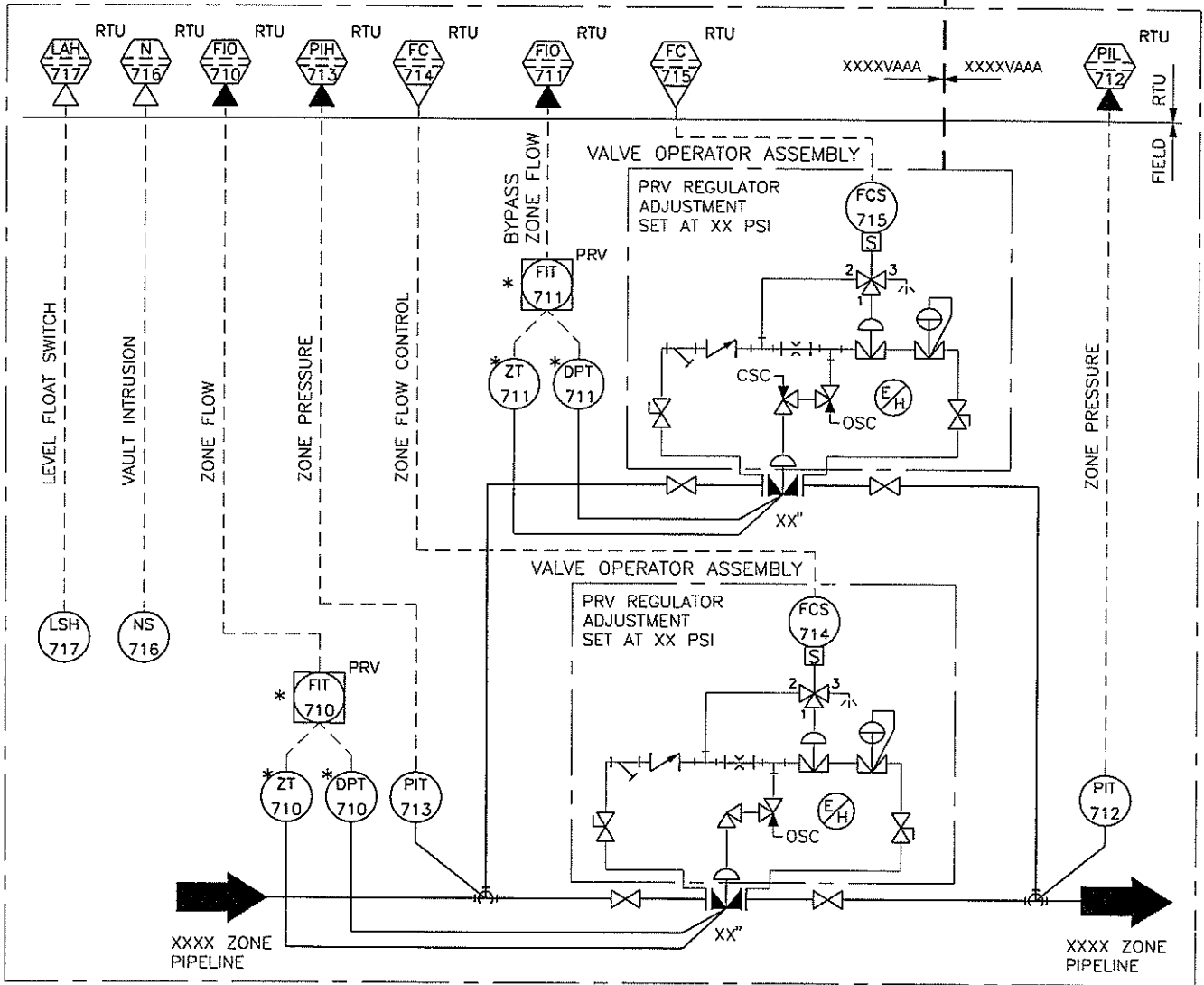
\* THE FLOW AND POSITION SIGNALS SHALL BE ASSIMILATED BY A FLOW COMPUTER AND THE FLOW COMPUTER WILL GENERATE THE FLOW OUTPUT SIGNAL.

OSC = OPENING SPEED CONTROL  
 \*\* CSC = CLOSING SPEED CONTROL

\*\* REQUIRED FOR 2" AND 3" VALVES ONLY.

**LOOP TAG EXAMPLE**

COMPLETE LOOP TAG NUMBERING FOR THIS FACILITY INCLUDES AN EIGHT DIGIT PREFIX AS INDICATED IN THIS EXAMPLE



- DESIGNER NOTES:**
1. PSI SETTING FOR LARGER PRV TO BE 5 PSI LOWER THAN SMALLER PRV.
  2. AAA = PRV NUMBER
  3. XXXX = PRESSURE ZONE NUMBER
  4. ELIMINATE ALL DEVICES NOT REQUIRED AND RENUMBER DEVICES PER PROJECT. FOR LEGEND SEE IT04-1

**PRV PROCESS AND INSTRUMENTATION DIAGRAM WITH FLOW METERING**

NOT TO SCALE

IT04-2 080106

