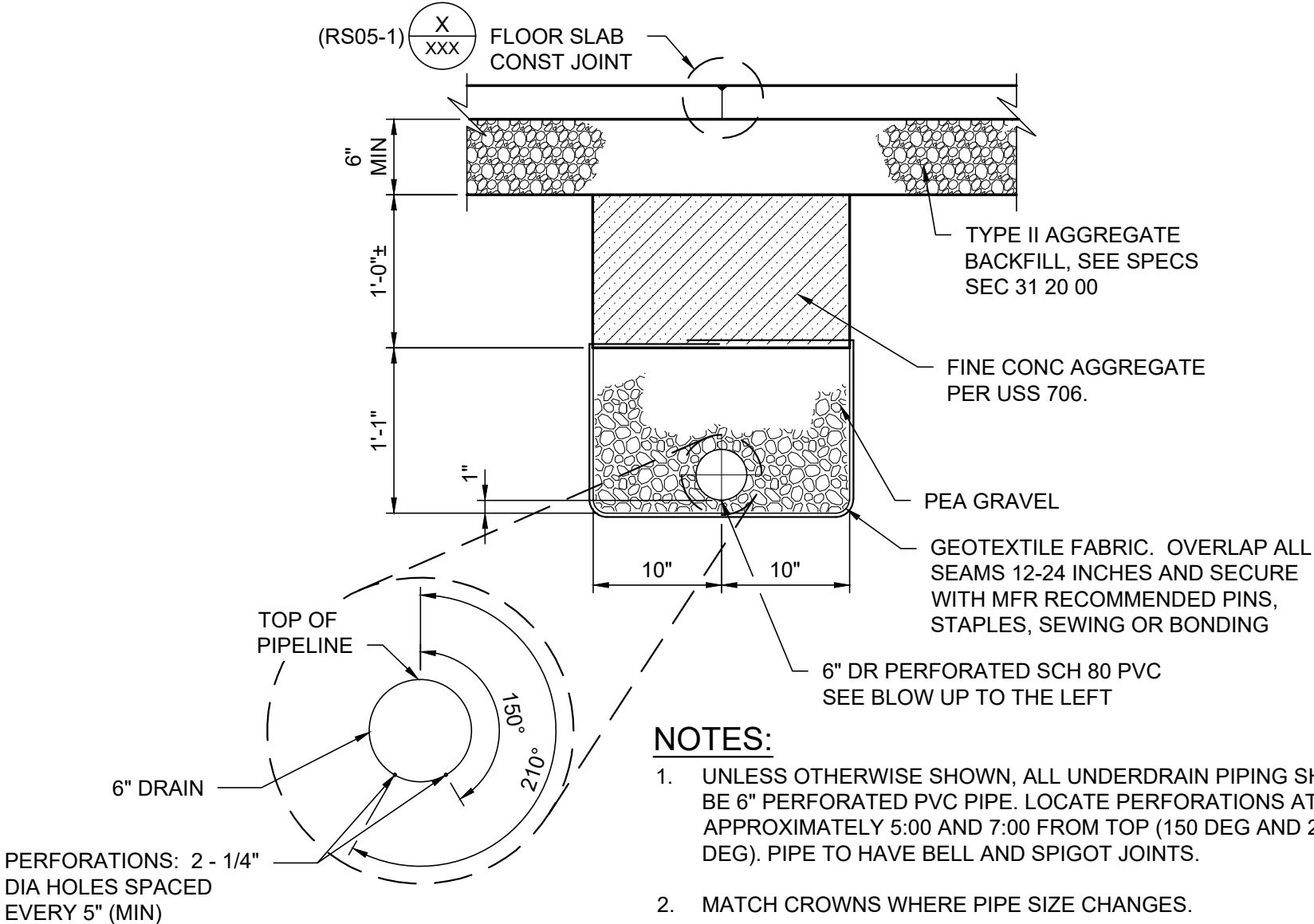


DESIGNER NOTE: THIS DETAIL IS ADEQUATE FOR AREAS WHERE GROUNDWATER DOES NOT EXIST ABOVE THE LEVEL OF THE FOOTING/UNDERDRAIN PIPING. ADDITIONAL GEOTECHNICAL AND ENGINEERING DESIGN IS REQUIRED FOR UNDERDRAIN SYSTEMS WHERE GROUNDWATER EXISTS ABOVE THE FOOTING/UNDERDRAIN PIPING.



FLOOR UNDERDRAIN

NOT TO SCALE

RC09-1

070225

