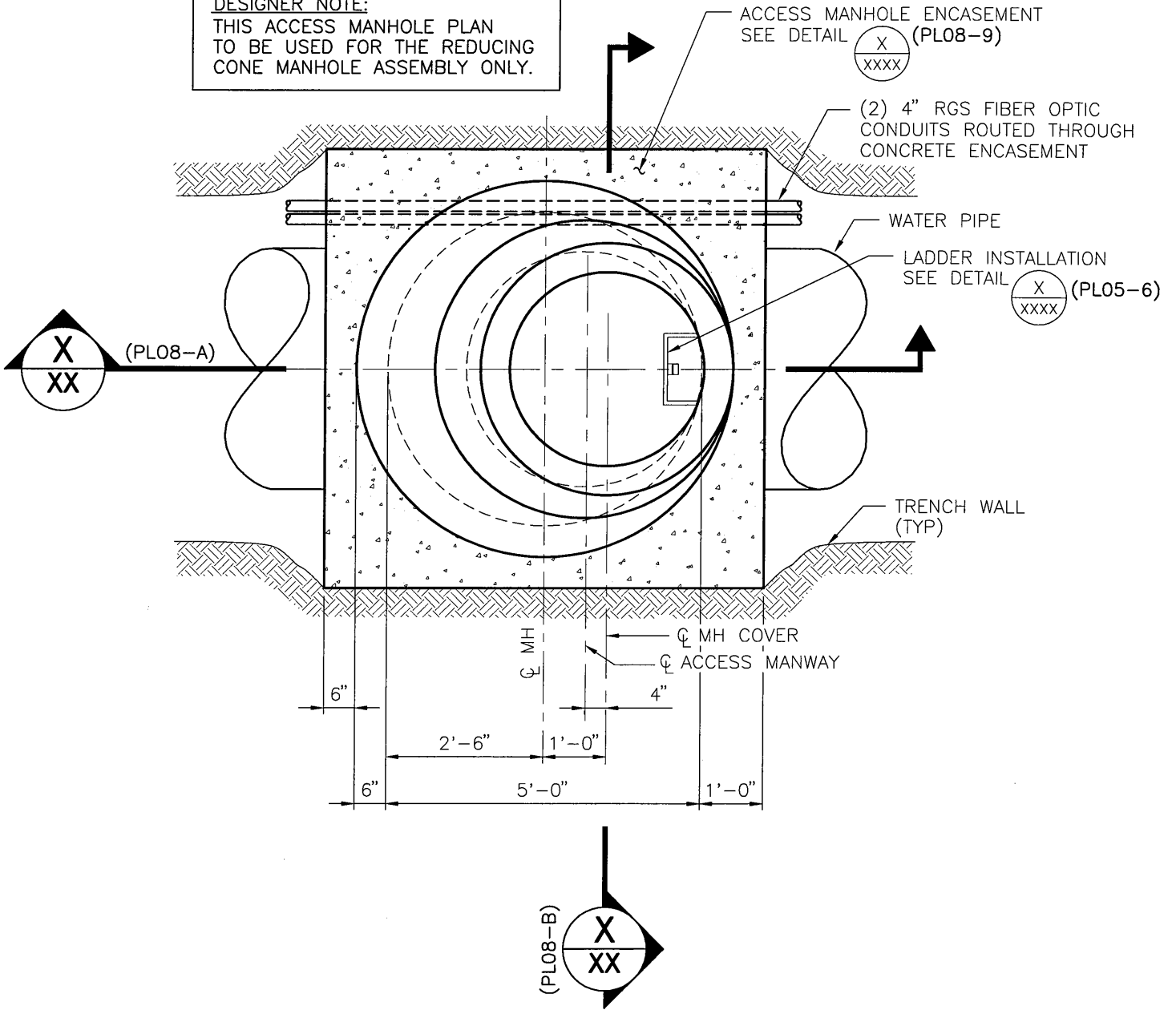


DESIGNER NOTE:
 THIS ACCESS MANHOLE PLAN
 TO BE USED FOR THE REDUCING
 CONE MANHOLE ASSEMBLY ONLY.



NOTE:
 MH FRAME AND COVER AND MANWAY ARE BOTH SHOWN

ACCESS MANHOLE PLAN

NOT TO SCALE

PL08-1 122603

