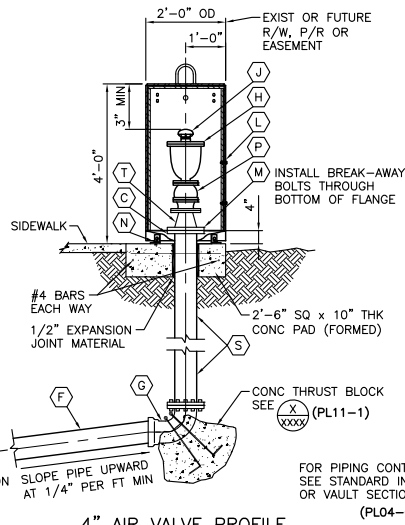
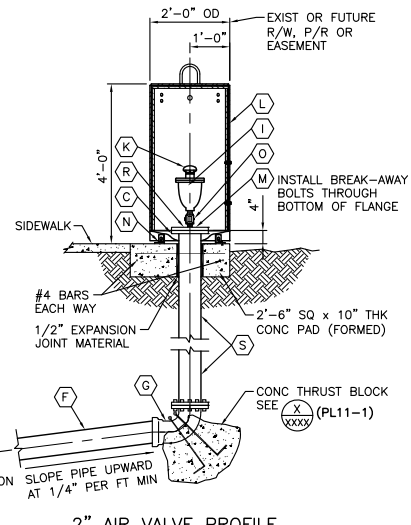


**STANDARD INSTALLATION**



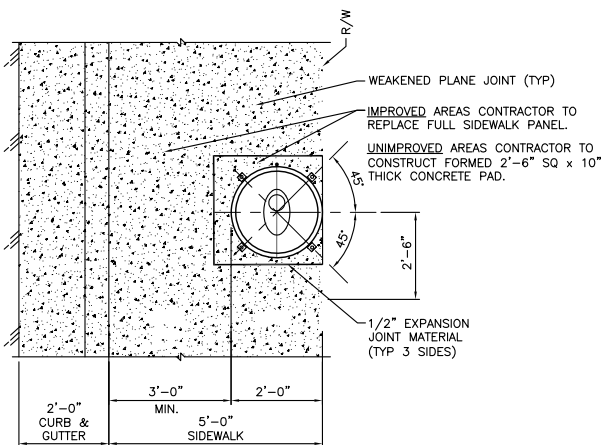
**4" AIR VALVE PROFILE**



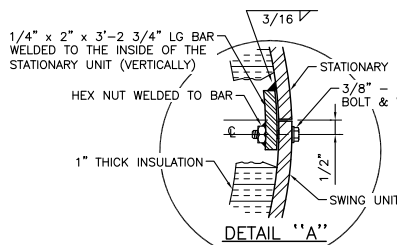
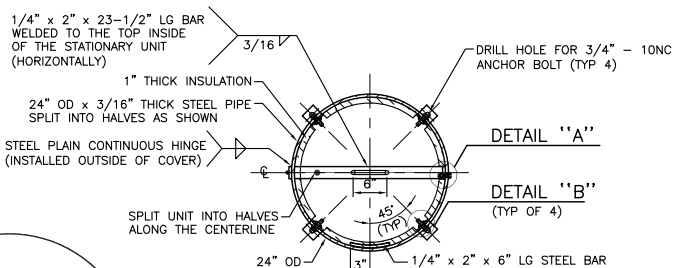
**2" AIR VALVE PROFILE**

**LEGEND**

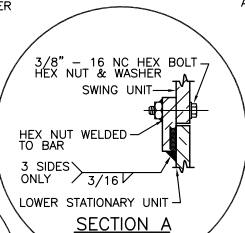
- (A) 6" FLG STL OUTLET FOR MLC STLPIPE, FLG TEE FOR DIP
- (B) 6" - 90° FLG DUCTILE IRON BEND
- (C) 6" DUCTILE IRON FLANGE ADAPTOR
- (D) 6" FLG x PO OR FLG x MJ GATE VALVE W/2" OPERATING NUT
- (E) VALVE BOX AND COVER - SEE DETAIL (X XXXX) (PL10-8)
- (F) 6" DUCTILE IRON PC350 PIPE OR 6" PVC CL150 DR18 PIPE
- (G) 6" - 90° FLG x PO OR FLG x MJ DI BEND
- (H) 4" AIR VALVE, FLANGED INLET
- (I) 2" AIR VALVE, THREADED INLET
- (J) 4" MUSHROOM VENT CAP WITH #22/24 STAINLESS STEEL MESH SCREEN
- (K) 2" MUSHROOM VENT CAP WITH #22/24 STAINLESS STEEL MESH SCREEN
- (L) 2'-0" OD x 4'-0" HIGH STEEL COVER
- (M) 5/8"-11NC BREAK-AWAY ZINC PLATED HEX HD BOLT, HEX NUT AND LOCKWASHER
- (N) 1/2"Ø x 8" ANCHOR BOLT
- (O) 2" CORP STOP, THREADED BOTH ENDS
- (P) 4" BALL VALVE - QUARTER TURN
- (R) 6" x 2" THREADED STL REDUCING FLANGE
- (S) 6" DUCTILE IRON PC350 PIPE
- (T) 6" x 4" FLG x FLG DI REDUCER



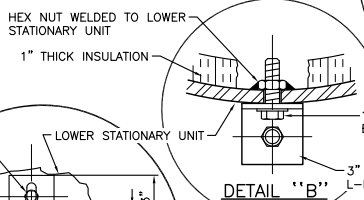
**PLAN VIEW**



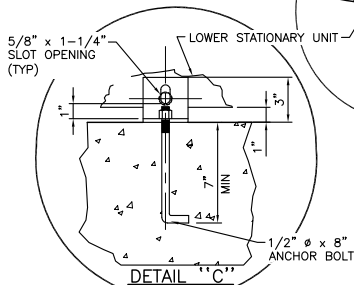
**DETAIL "A"**



**SECTION A**



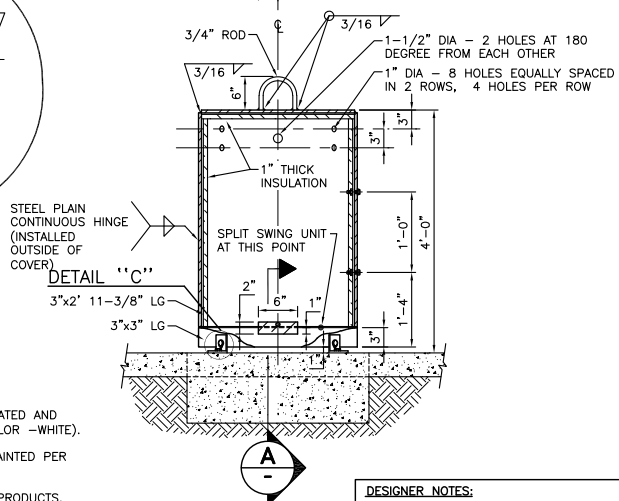
**DETAIL "B"**



**DETAIL "C"**

**NOTES:**

1. EXPOSED AIR VALVE ASSEMBLY TO BE COATED AND PAINTED PER SPECS SEC 09 96 00, (COLOR -WHITE).
2. STEEL ENCLOSURE TO BE COATED AND PAINTED PER SPECS SEC 09 96 00, (COLOR -BEIGE).
3. SEE SPECIFICATIONS FOR ALL APPROVED PRODUCTS.



**DETAIL "C"**

**DESIGNER NOTES:**

ENGINEER TO VERIFY THE REQUIRED SIZE AND TYPE OF AIR VALVE ASSEMBLY PER PROJECT REQUIREMENTS.  
USE ONLY THE APPROPRIATE DRAWING(S) AND DESCRIPTIONS FOR CORRECT SIZE OF AIR VALVE ASSEMBLY.

**AIR VALVE ASSEMBLY FOR 2" AND 4" VALVES (STEEL ENCLOSURE)**

NOT TO SCALE

PL09-1 051418