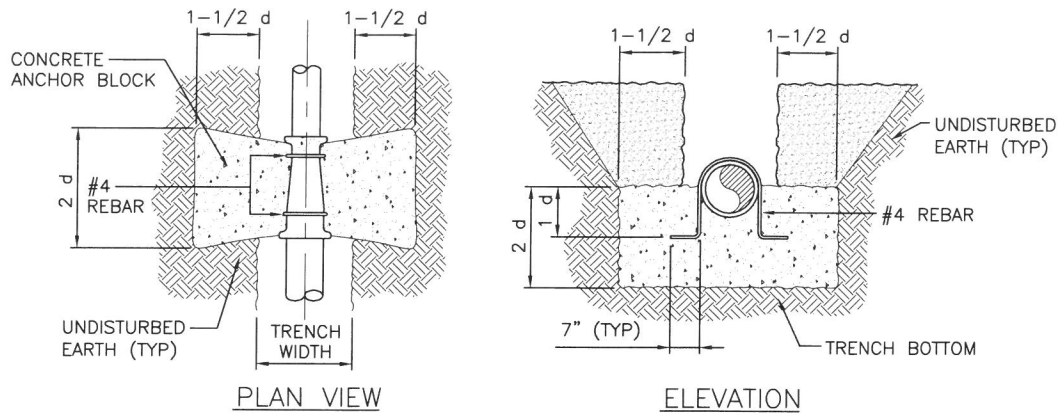
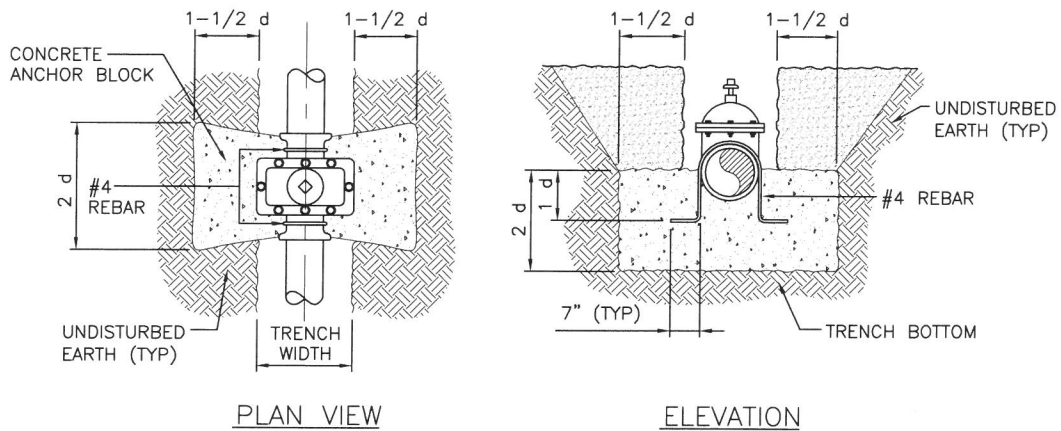


LEGEND: d = LARGER DIAMETER PIPE SIZE



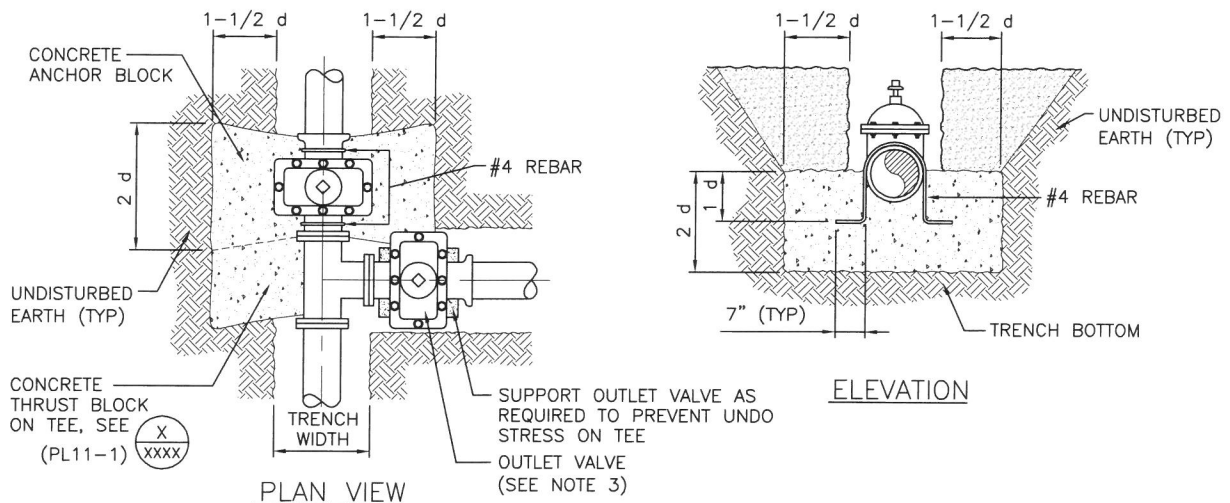
IN-LINE REDUCERS

LEGEND: d = NOMINAL PIPE SIZE



IN-LINE GATE VALVES

LEGEND: d = NOMINAL PIPE SIZE



TEE GATE VALVES

NOTES:

1. ALL CONCRETE SHALL BE 3000 PSI MINIMUM 28 DAYS COMPRESSIVE STRENGTH.
2. ALL VALVES AND EXPOSED REBAR TO BE COATED AND WRAPPED IN ACCORDANCE WITH SECTION 09 96 00 OF THE LVWD SPECS, PROTECTIVE COATINGS.
3. WHEN PIPE IS INSTALLED BETWEEN TEE AND OUTLET VALVE AN ADDITIONAL CONCRETE ANCHOR BLOCK WILL BE REQUIRED ON THE OUTLET VALVE.

ANCHOR BLOCK DETAILS FOR REDUCERS AND GATE VALVES

NOT TO SCALE

PL11-2 072715

