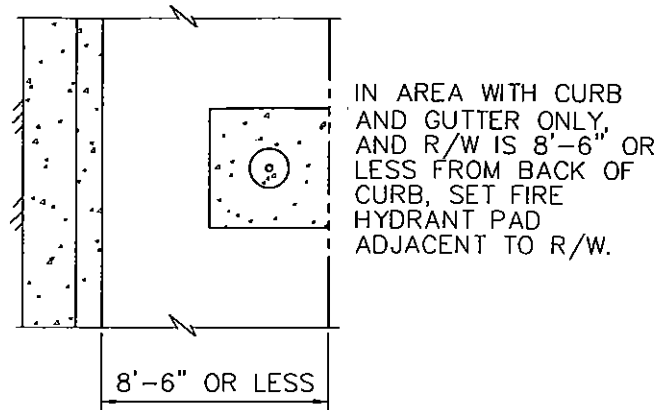
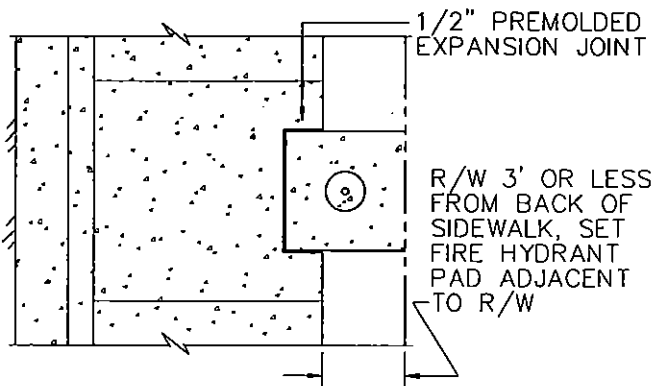


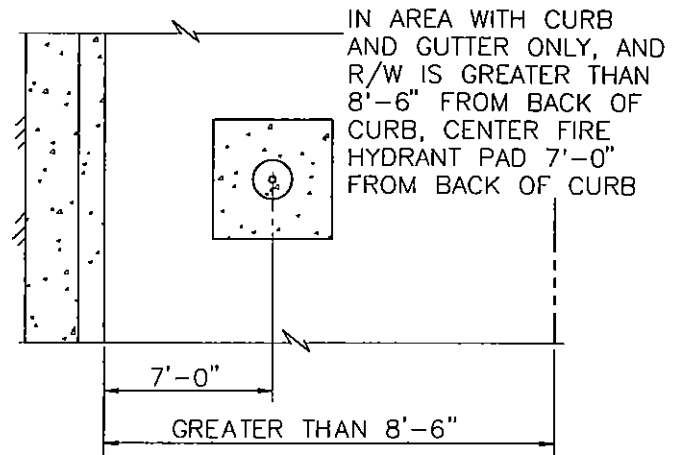
CONDITION A



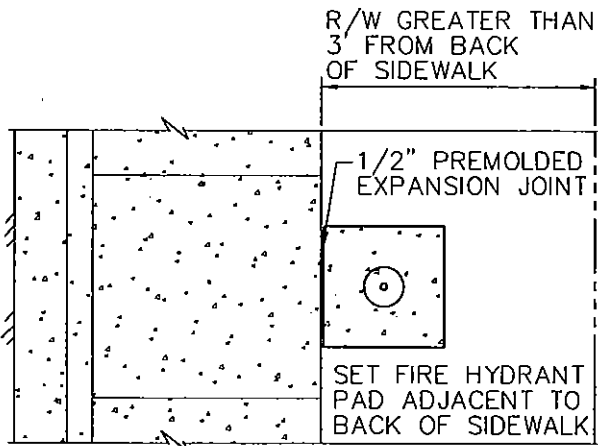
CONDITION D



CONDITION B



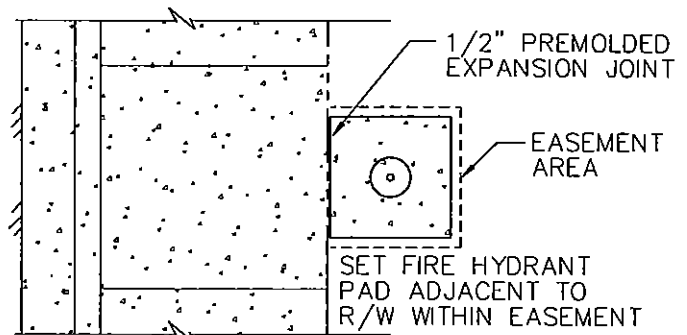
CONDITION E



CONDITION C

IF NO SIDEWALK, CURB AND GUTTER EXISTS, SET FIRE HYDRANT PAD ADJACENT TO R/W AS SHOWN IN CONDITION D ABOVE.

CONDITION F



CONDITION G

# FIRE HYDRANT LOCATION

NOT TO SCALE

PL15-2 070703

