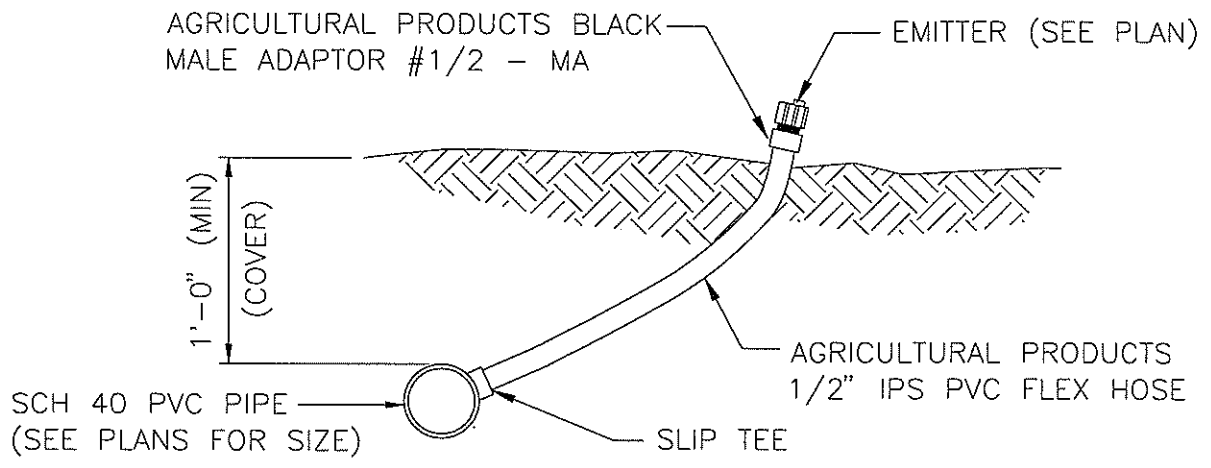


EMITTER QUANTITIES	
PLANT SIZE	QUANTITY
1 GAL	1
5 GAL	2
15 GAL	8
24" BOX	12
36" BOX	20
PALMS	20



NOTES:

1. THIS IS A SUGGESTED EMITTER LAYOUT PLAN. ACTUAL LAYOUT MAY VARY DEPENDING ON SURROUNDING FEATURES. THE INTENT IS TO PROVIDE WATER FOR FUTURE ROOT GROWTH.
2. ADJACENT TREES AND SHRUBS MAY SHARE THE SAME EMITTER WHERE PATTERNS OVERLAP.
3. BEGIN PLACEMENT OF EMITTERS ADJACENT TO ROOT BALL OF PLANT AND WORK OUTWARD IN ALL DIRECTIONS UNTIL THE REQUIRED NUMBER OF EMITTERS PER PLANT IS OBTAINED.
4. PALM TREES REQUIRE MULTI PORT BOW SWITCH.

TYPICAL EMITTER LAYOUT DETAIL

NOT TO SCALE

LS-13

011107

